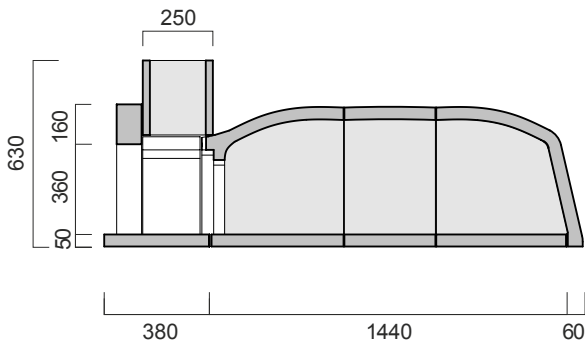
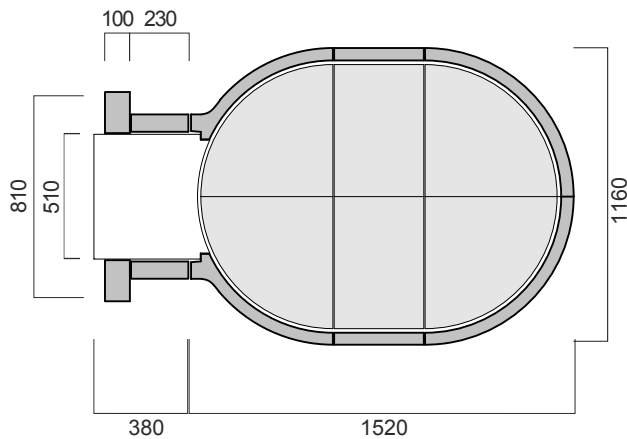


CAPRI

Mod.100x140 - Residential woodburning oven



Model	CAPRI
Components	n° 6 floor elements n° 6 domeelements n° 1 sill n° 1 metal door with thermometer n° 2 lateral parts brick style arch, standard hood
Dimensions	Oven (mm) - 1160L x 1580W x 630H Flue (mm) - 250L x 250W x 250ø
Total weight	Kg 485